

HOT DOG STATION HDS 60



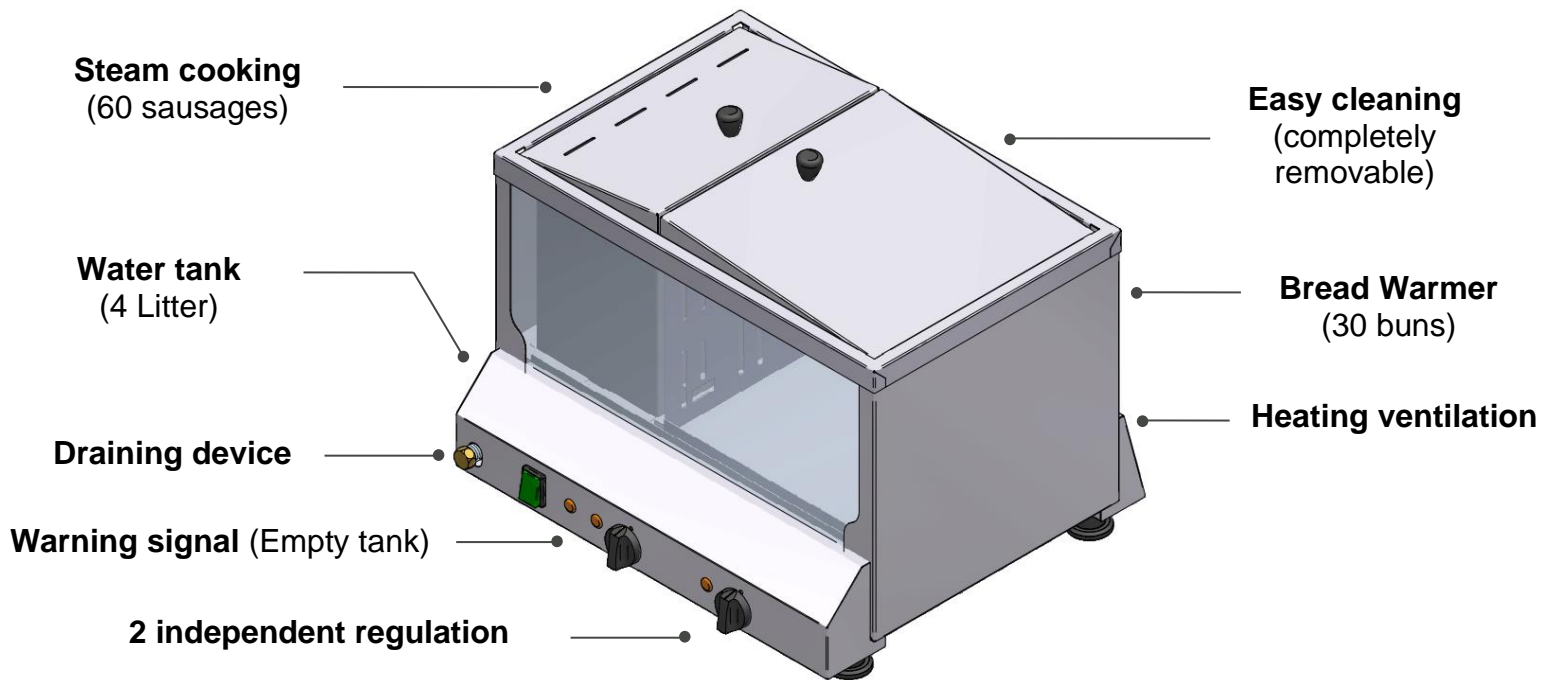
Click here !



MADE IN FRANCE



Hot Dog Station



Technical specifications

Reference	HDS 60
Dimensions	500 x 420 x 400 mm
Weight	13 Kg
Power	1 KW
Voltage	230 V

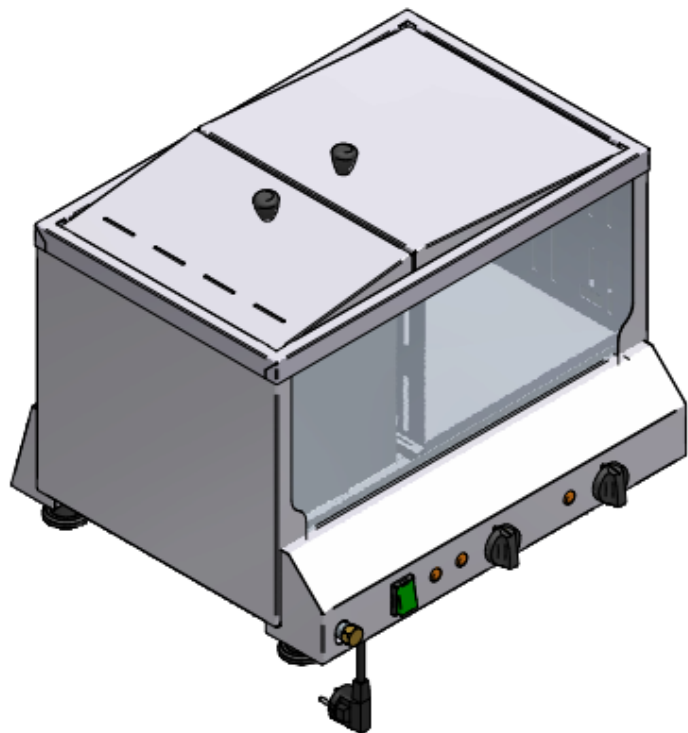
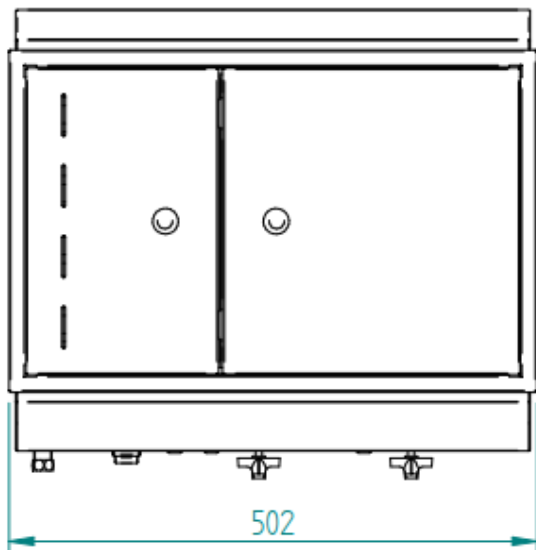
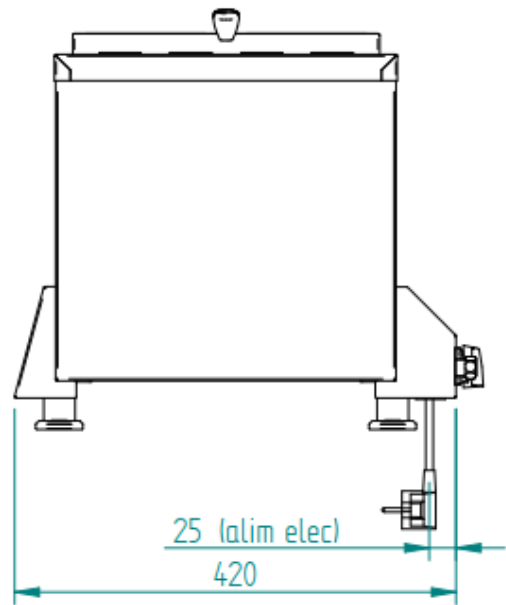
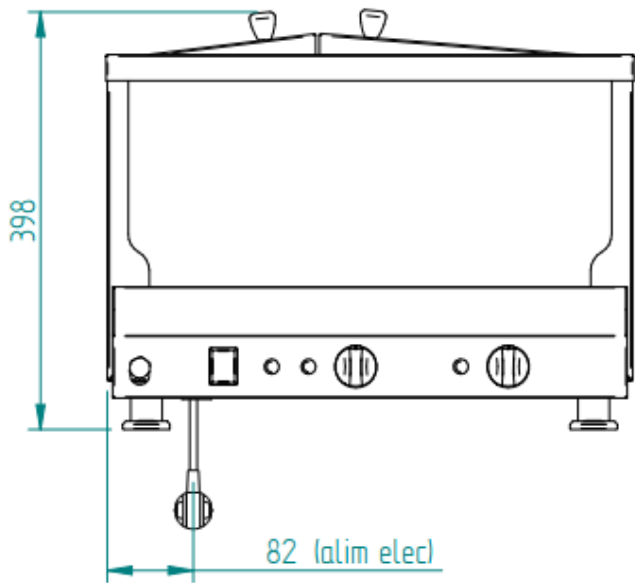
Description

This compact hot-dog station has been made to develop the takeaway concept with minimum space and investment. **(60 hot dogs / hour)**

This hot-dog station provides both steam cooking for sausages and warm keeping for bread. (Two independent regulation)

- **Water temperature control** (from 65 ° C to 97 ° C) for steam cooking of sausages
- **Thermostatic regulation of the bread heater** (from 15 ° C to 82 ° C)

Very compact, this combined solution will help you to cook more than 60 sausages (steam) and 30 buns (thermo-ventilator).



Roller Grill International

16 rue Saint-Gilles 28800 Bonneval France – Tel. + 33 2 37 44 67 67 – Fax. +33 2 37 96 20 09

Website: www.rollergrill-international.com – **E-mail:** rollergrill@roller-grill.com